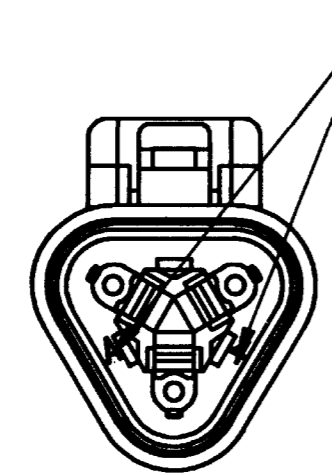


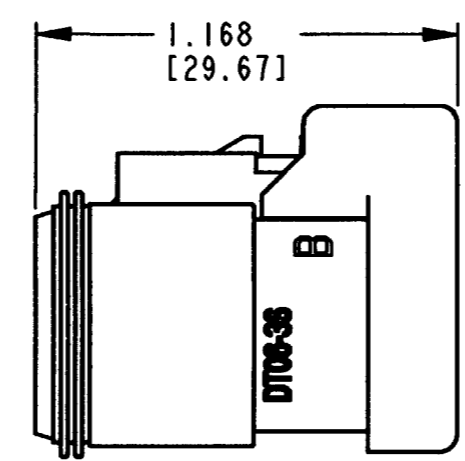
REV
NC **DT06-3S-CE14**

REVISIONS			
SYM	DESCRIPTION	DATE	APPROVED
NC	NEW RELEASE PER E.O. P18478	1-29-04	RDR

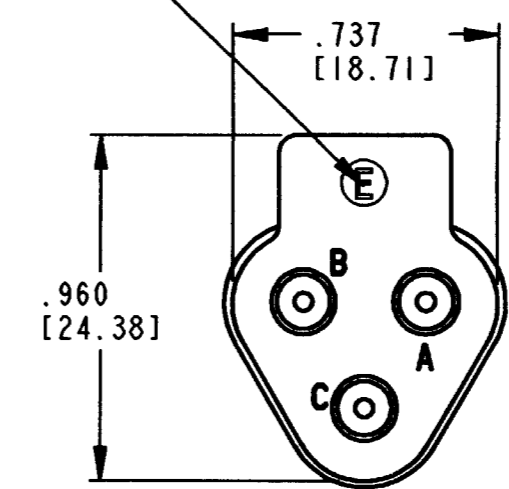
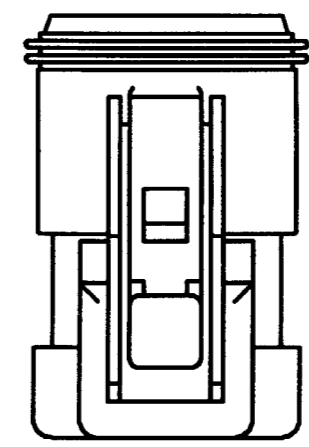
CONTACT SIZE	MIN. INSUL O.D.	MAX. INSUL O.D.	WIRE RANGE [mm ²] REF ONLY
16	.053 [1.35]	.120 [3.05]	14-20 AWG [2.0-0.5]



DATE CODE:
MONTH IS REPRESENTED BY SEQUENTIAL ALPHA CHARACTERS. EX: A=JANUARY
YEAR IS REPRESENTED BY THE LAST NUMERICAL DIGIT. EX: 4=2004



-E- SYMBOL DESIGNATES REDUCED DIAM. SEAL



7. MATERIAL: SHELL: PLASTIC; SEAL: RUBBER.
6. THIS CONNECTOR CAN PASS THRU A ONE INCH [25.44] HOLE.
5. THIS PLUG MATES WITH THE DT04-3P-**** RECEPTACLE (**** = ALL MODIFICATIONS). CONSULT FACTORY FOR MODIFICATIONS.
4. WEDGE LOCK W3S-P012 SOLD SEPARATELY.

3. FOR CONTACTS AND WIRE PERFORMANCE AND APPLICATION CHARACTERISTICS SEE ENVELOPE DRAWING 0425-015-0000 AND 0425-017-0000.

2. DIMENSIONS ARE ±.025 [0.63] UNLESS OTHERWISE SPECIFIED.

NOTES: 1. ALL DIMENSIONS ARE IN INCHES [MILLIMETERS].

SIGNATURE & DATE	
DR	T. YOHANNES 26 JAN 04
CHK	R. MILLIGAN 1/29/04
PE	T. YOHANNES 1/28/04
APPD	T. YOHANNES 1/29/04
SCALE	NONE
WT	

3 WAY PLUG
WITH REDUCED DIAM. SEAL
-CE14 MOD.
COLOR: BLACK
DT SERIES

ENVELOPE

CP	MATL. CODE
The Deutsch Company DEUTSCH I.P.D. 3850 INDUSTRIAL AVE. HEMET, CALIF. 92545	
B DT06-3S-CE14	
DWG SIZE	CODE 11139 SHEET OF